



Application

- It is used for water circulation in small and medium-sized swimming pools. Slightly dirty water with solids in suspension can be perfectly filtered.

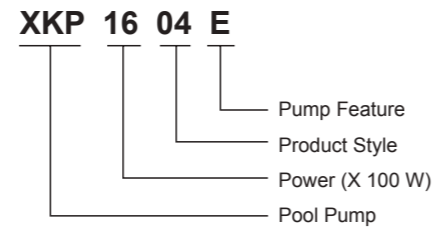
Pump

- Engineering plastic pump body
- Medium temperature: 5 - 50
- Environmental temperature: ≤40
- Max. suction: 3.5 m

Motor

- Motor with copper or aluminum winding
- Built-in thermal protector for single phase motor
- Insulation class: F
- Protection class: IPX5

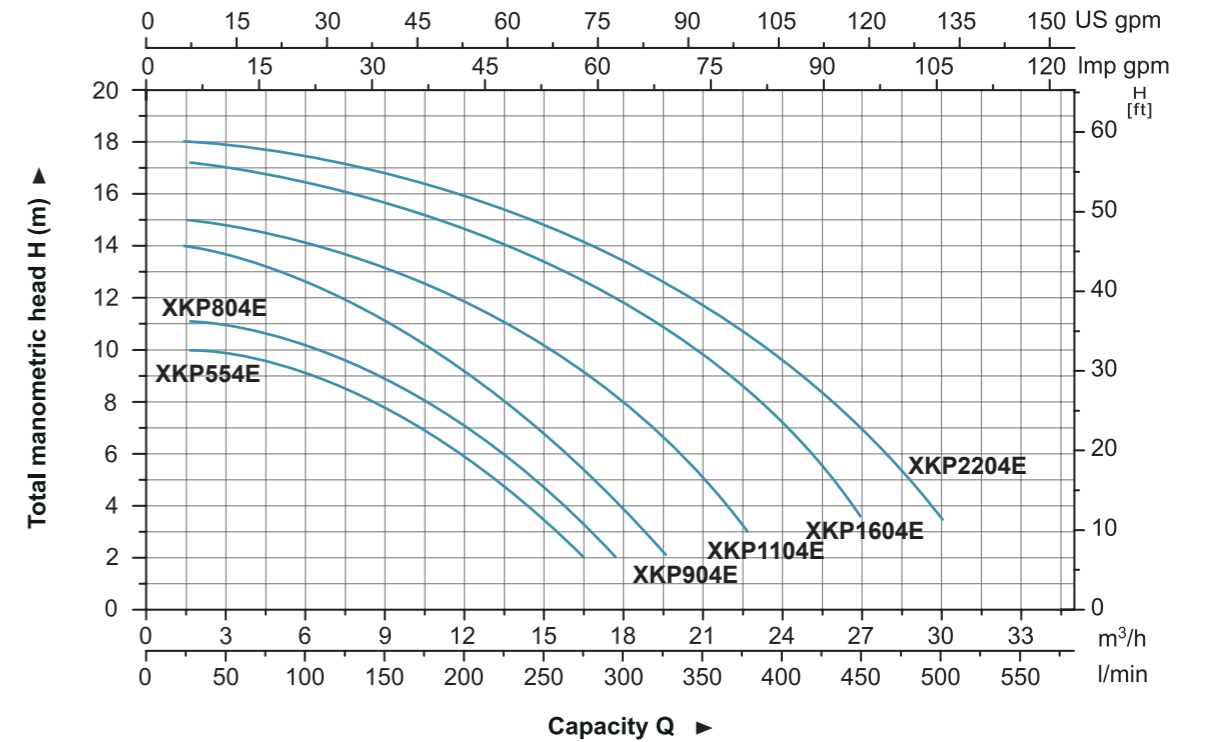
Identification Codes



Technical Data

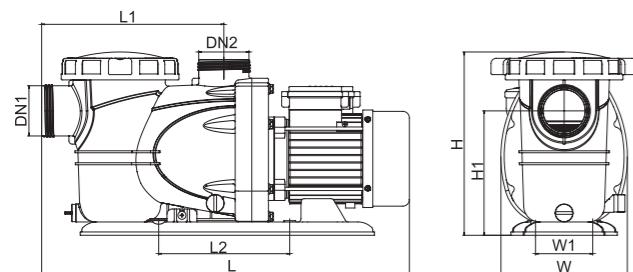
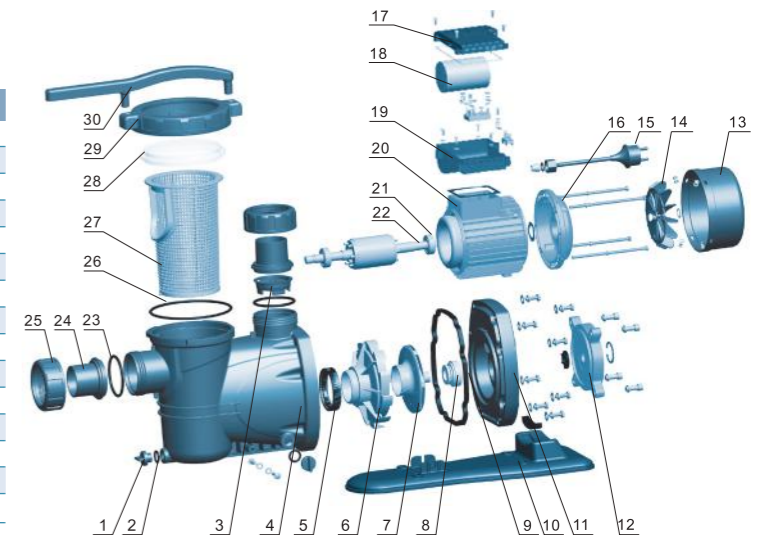
MODEL	POWER (P _i) W	Q (m ³ /h) Q (l/min)	H (m)													
			3	6	9	12	15	18	21	24	27	30				
XKP554E	600		9.7	9	8	6	3.2	0.5	-	-	-	-	-	-	-	-
XKP804E	800		10.8	10.3	8.8	7	4.5	1.5	-	-	-	-	-	-	-	-
XKP904E	900		13.2	12.3	11.1	9.2	6.5	3.4	0.2	-	-	-	-	-	-	-
XKP1104E	1100		14.8	14.2	13.2	12	10.3	8	4.8	-	-	-	-	-	-	-
XKP1604E	1600		16.8	16.3	15.5	14.5	13.5	12	9.6	7	3.5	-	-	-	-	-
XKP2204E	2200		17.8	17.3	16.5	16	14.8	13.4	11.7	9.5	6.5	3.3	-	-	-	-

Hydraulic Performance Curves



Materials Table

No.	Part	Material	No.	Part	Material
1	Drain plug	PP	16	Rear cover	ZL102
2	O-ring	NBR	17	Capacitor cover	ABS
3	Valve body	PP	18	Capacitor	
4	Pump body	PP	19	Terminal box	ABS
5	Diffuser seal washer	NBR	20	Stator	
6	Diffuser	PP	21	Bearing	
7	Impeller	PPO	22	Rotor	
8	Mechanical seal	Graphite/Ceramics	23	O-ring	NBR
9	Sealing ring	NBR	24	Connector	PVC
10	Bottom board	PP	25	Nut	ABS
11	Plastic support	PP	26	O-ring	EPDM
12	Pump support	ZL102	27	Sieve	PP
13	Fan cover	PP	28	Pump cover	PC
14	Fan	PP	29	Pump cover nut	PA6
15	Cable		30	Wrench	PP



Dimension

Model	DN1	DN2	L (mm)	W (mm)	H (mm)	L1 (mm)	L2 (mm)	H1 (mm)
XKP554E	50	50	554	190	276	274	197	187
XKP804E	50	50	554	190	276	274	197	187
XKP904E	50	50	554	190	276	274	197	187
XKP1104E	50	50	554	190	276	274	197	187
XKP1604E	50	50	584	190	276	274	197	187
XKP2204E	50	50	584	190	276	274	197	187

Package Information

Model	GW (Kgs)	L (mm)	W (mm)	H (mm)	Quantity (PCS/20 TEU)
XKP554E	10.4	585	220	290	816
XKP804E	11.1	585	220	290	816
XKP904E	12.1	585	220	290	816
XKP1104E	12.8	585	220	290	816
XKP1604E	16.1	615	230	290	744
XKP2204E	17.7	615	230	290	744





Application

- It is used for water circulation in small and medium-sized swimming pools. Slightly dirty water with solids in suspension can be perfectly filtered.

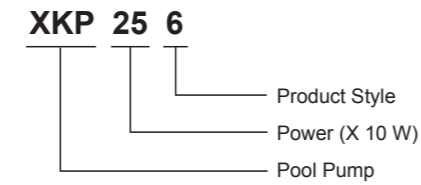
Pump

- Engineering plastic pump body
- Medium temperature: 5 - 50
- Environmental temperature: ≤40
- Max. suction: 3.5 m

Motor

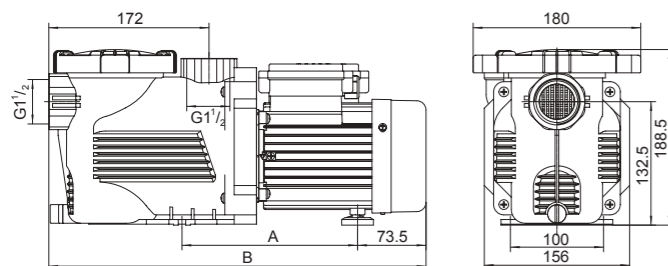
- Motor with copper or aluminum winding
- Built-in thermal protector for single phase motor
- Insulation class: F
- Protection class: IPX5

Identification Codes



Technical Data

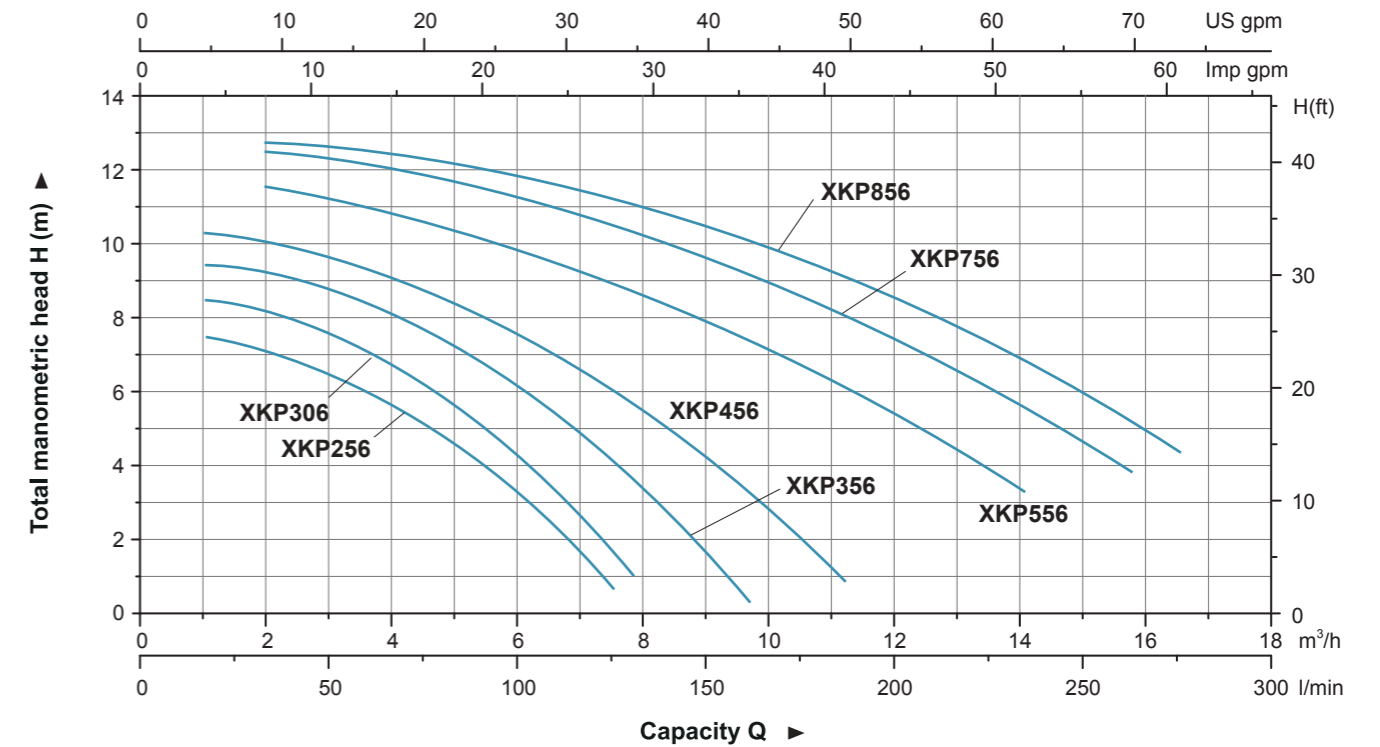
MODEL	POWER(P _i) W	Q(m ³ /h) Q(l/min)	H (m)					
			0	3	6	9	12	15
XKP256	250		7.5	6.3	2.9	-	-	-
XKP306	300		8.5	7.3	4.2	-	-	-
XKP356	350		9.5	8.2	6.2	1.5	-	-
XKP456	450		10.3	9.2	7.2	4.1	-	-
XKP556	550		12	11	9.9	8	5.5	-
XKP756	750		12.5	12.3	11.3	9.7	7.5	4.8
XKP856	850		12.5	12.4	11.8	10.5	8.5	6



Dimension

MODEL	A	B
XKP256	157.5	374
XKP306	157.5	374
XKP356	157.5	374
XKP456	157.5	374
XKP556	188.5	405
XKP756	188.5	405
XKP856	188.5	405

Hydraulic Performance Curves



Materials Table

No.	Part	Material	No.	Part	Material
1	Pump cover nut		16	Rotor	
2	Pump cover		17	Ball bearing	
3	Sieve		18	Front plate	
4	O-sealing ring		19	Plastic rack	
5	Support foot		20	Bracket washer	
6	Motor stator		21	Mechanical seal	
7	Terminal box ring		22	Impeller	
8	Terminal box		23	Diffuser	
9	Capacitor		24	Diffuser ring	
10	Sealing strip		25	Pump body	
11	Terminal cover		26	Drain plug	
12	Power cable				
13	Fan				
14	Fan cover				
15	Ball bearing				



Package Information

MODEL	GW (Kgs)	L (mm)	W (mm)	H (mm)	Quantity (PCS/20*TEU)
XKP256	5.4	410	170	200	2002
XKP306	5.8	410	170	200	2002
XKP356	6	410	170	200	2002
XKP456	6.1	410	170	200	2002
XKP556	6.4	410	170	200	1859
XKP756	7.1	410	170	200	1859
XKP856	7.4	410	170	200	1859





Application

- It is used for water circulation in small and medium-sized swimming pools. Slightly dirty water with solids in suspension can be perfectly filtered.

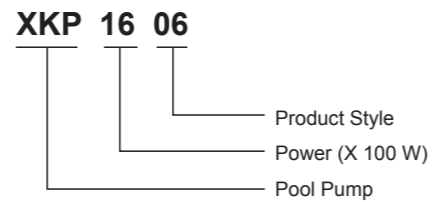
Pump

- Engineering plastic pump body
- Medium temperature: 5 - 50
- Environmental temperature: ≤40
- Max. suction: 3.5 m

Motor

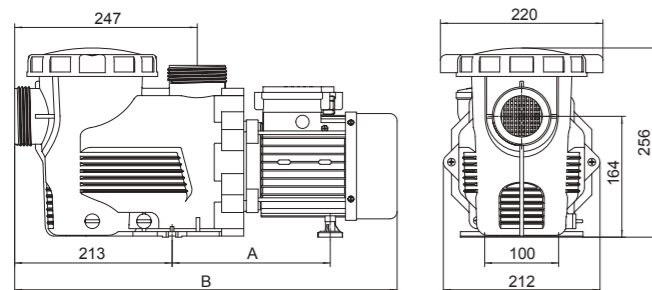
- Motor with copper or aluminum winding
- Built-in thermal protector for single phase motor
- Insulation class: F
- Protection class: IPX5

Identification Codes



Technical Data

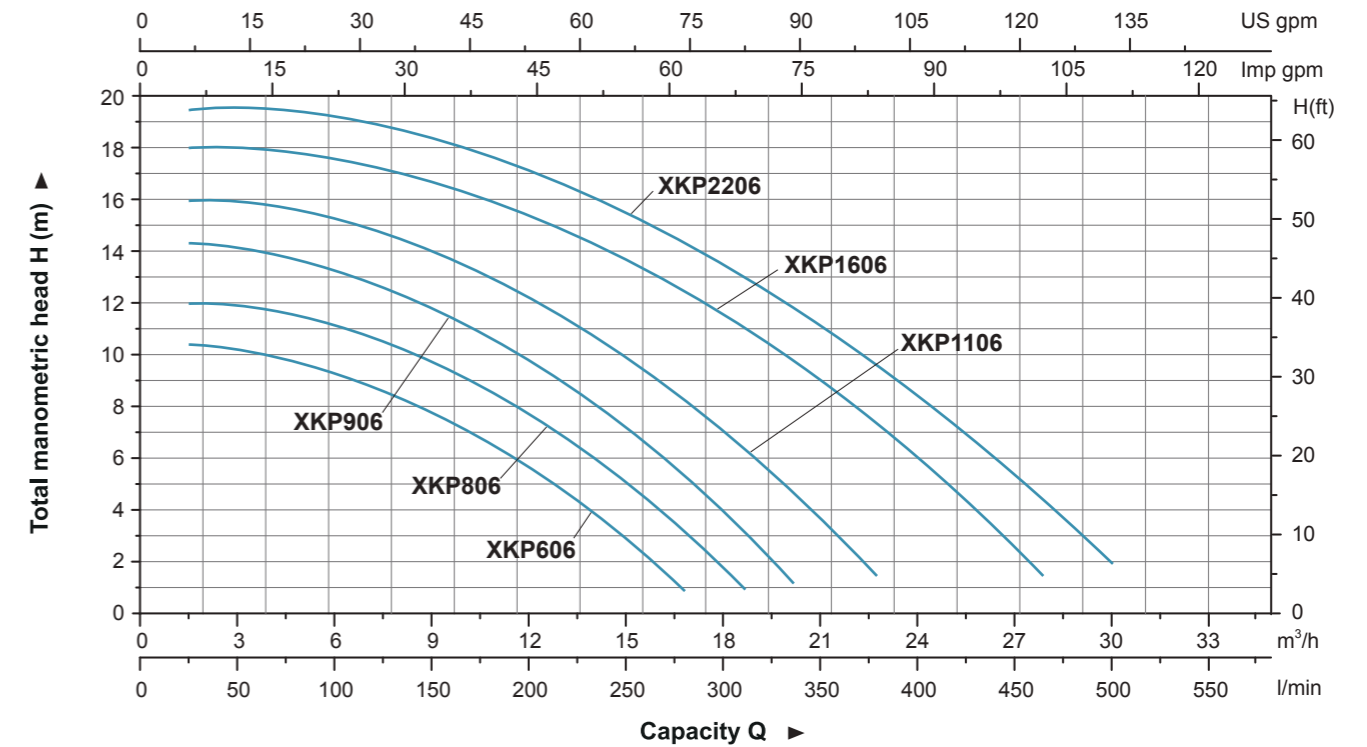
MODEL	POWER(P ₁) W	Q(m ³ /h) Q(l/min)	0	6	12	18	24	30
			H (m)	100	200	300	400	500
XKP606	600		10.5	9.4	5.7	-	-	-
XKP806	800		12	11.3	7.7	1.9	-	-
XKP906	900		14.5	13.3	9.7	3.9	-	-
XKP1106	1100		16	15.3	12.3	7.2	-	-
XKP1606	1600		18	17.7	15.6	11.6	6.2	-
XKP2206	2200		19.5	19	17.2	13.6	8.6	2.2



Dimension

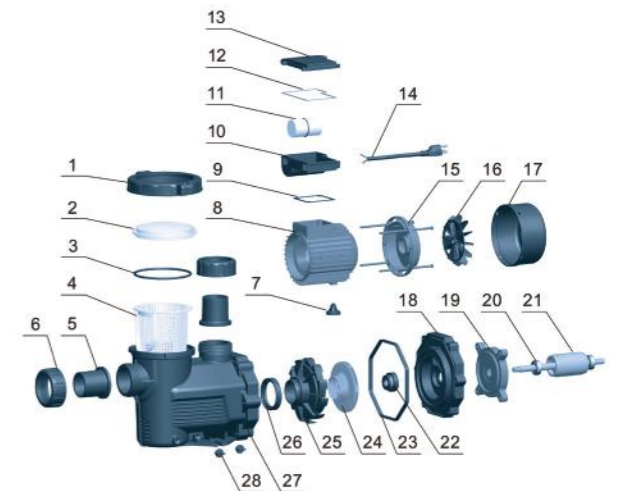
MODEL	A	B
XKP606	214	250
XKP806	214	250
XKP906	214	250
XKP1106	214	250
XKP1606	518	548
XKP2206	518	548

Hydraulic Performance Curves



Materials Table

No.	Part	Material	No.	Part	Material
1	Pump cover nut		16	Fan	
2	Pump cover		17	Fan cover	
3	O-sealing ring		18	Plastic rack	
4	Sieve		19	Pump support	
5	Water outlet connector		20	Ball bearing	
6	Nut		21	Rotor	
7	Support foot		22	Mechanical seal	
8	Motor stator		23	Switch seal washer	
9	Terminal box		24	Impeller	
10	Terminal box ring		25	Diffuser	
11	Capacitor		26	Switch seal washer	
12	Seal washer		27	Pump body	
13	Terminal cover		28	Drain plug	
14	Power cable				
15	End plate				



Package Information

MODEL	GW (Kgs)	L (mm)	W (mm)	H (mm)	Quantity (PCS/20' TEU)
XKP606	9.6	575	225	255	900
XKP806	10.4	575	225	255	900
XKP906	11.2	575	225	255	900
XKP1106	12.1	575	225	255	900
XKP1606	15.2	605	225	255	837
XKP2206	16.8	605	225	255	837





XKP-ET

Application

- It is used for water circulation in all kinds of small domestic swimming pools. Slightly dirty water with solids in suspension can be perfectly filtered.

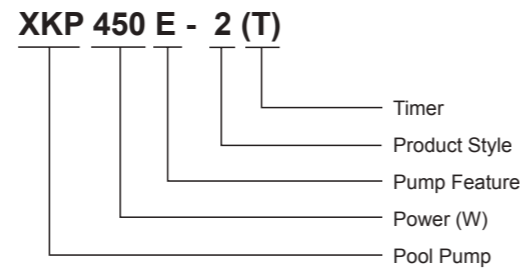
Pump

- Engineering plastic pump body
- Medium temperature: 5 - 50
- Environmental temperature: ≤40

Motor

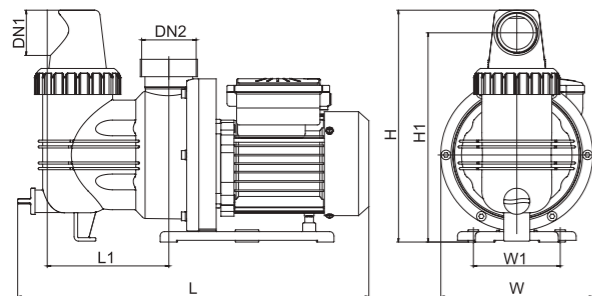
- Motor with copper or aluminum winding
- Built-in thermal protector for single phase motor
- Insulation class: F
- Protection class: IPX5

Identification Codes



Technical Data

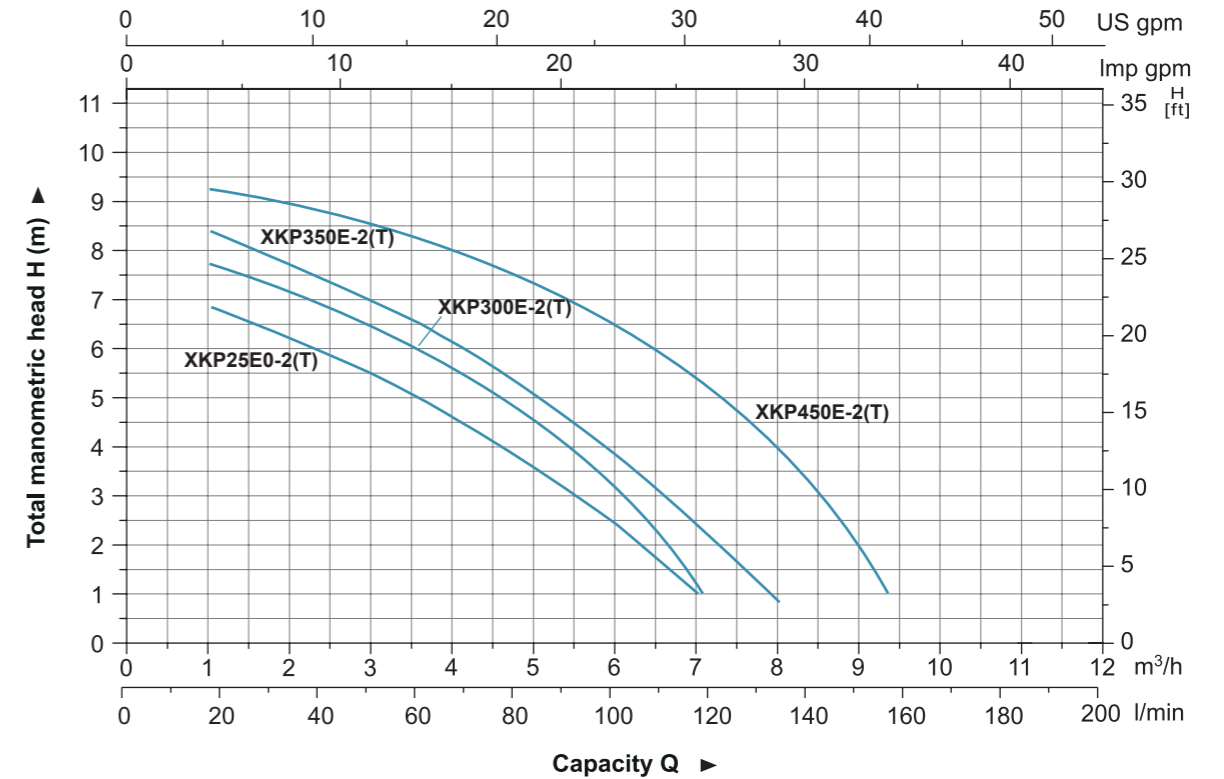
MODEL	POWER (P ₁) W	Q (m ³ /h) Q (l/min)	H (m)									
			1	2	3	4	5	6	7	8	9	10
XKP250E-2(T)	250		6.9	6.3	5.5	4.6	3.6	2.4	1.0	-	-	-
XKP300E-2(T)	300		7.7	7.2	6.4	5.5	4.5	3.0	1.0	-	-	-
XKP350E-2(T)	350		8.4	7.7	7.0	6.2	5.0	3.8	2.3	0.8	-	-
XKP450E-2(T)	450		9.6	9.1	8.5	8.0	7.3	6.4	5.2	4.0	2.4	-



Dimension

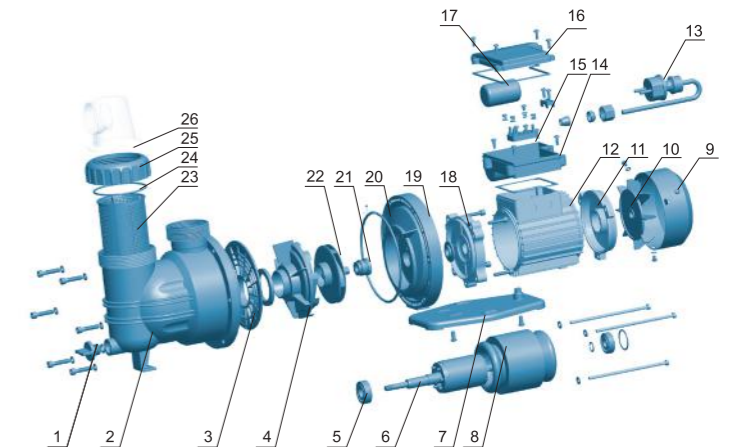
Model	DN1	DN2	L (mm)	W (mm)	H (mm)	L1 (mm)	W1 (mm)	H1 (mm)
XKP250E-2(T)	40	40	416	175	265	140	100	239
XKP300E-2(T)	40	40	416	175	265	140	100	239
XKP350E-2(T)	40	40	416	175	265	140	100	239
XKP450E-2(T)	40	40	416	175	265	140	100	239

Hydraulic Performance Curves



Materials Table

No.	Part	Material	No.	Part	Material
1	Filling plug	PP	14	Terminal box	ABS
2	Pump body	PP	15	Terminal board	PC
3	Water proof cover	PPO	16	Terminal box cover	ABS
4	Diffuser	PPO	17	Capacitor	
5	Ball bearing		18	Front plate	ZL102
6	Rotor		19	Support	PP
7	Base	PA	20	O-ring	NBR
8	Stator		21	Mechanical seal	Graphite/Ceramics
9	Fan cover	08F	22	Impeller	PPO
10	Fan	PP	23	Sieve	PP
11	Rear cover	ZL102	24	O-ring	NBR
12	Motor housing	ZL102	25	Nut	ABS
13	Cable		26	Connector	PC



Package Information

Model	GW (Kgs)	L (mm)	W (mm)	H (mm)	Quantity (PCS/20 TEU)
XKP250E-2(T)	5.6	450	203	238	1341
XKP300E-2(T)	6.0	450	203	238	1341
XKP350E-2(T)	6.2	450	203	238	1341
XKP450E-2(T)	6.4	450	203	238	1341

